

Cerniere e meccanismi di apertura

Le cerniere sono una soluzione indispensabile per i mobili con ante, a prescindere della direzione di apertura. Il più grande gruppo di cerniere nella nostra offerta è quello delle cerniere a tazza. Il modello di punta di questa gamma è la robusta serie NC70, che offre una durata molto elevata e una lunga durata. Eccellente smorzamento, meccanismi Clip-On, con un'ampia gamma di soluzioni e accessori vantaggiosi per questa serie. Oltre alle cerniere a tazza questa sezione comprende anche cerniere per applicazioni speciali e meccanismi push for open (pistoncini) per apertura senza maniglia.



● Riex Cup Hinges Range	2.3
<hr/>	
● Riex NC70 / NC50 Clip-On	2.5
Riex NC70 Hinges	2.6
Riex NC50 Hinges	2.13
Riex NC70 / NC50 Mounting Plates and Accessories	2.15
<hr/>	
● Riex NC40 Clip-On	2.17
Riex NC40 Hinges	2.17
Riex NC40 Mounting Plates and Accessories	2.24
<hr/>	
● Riex NC20 Clip-On	2.25
<hr/>	
● Riex NS40 Slide-On	2.27
Riex NS40 Hinges	2.27
Riex NS40 Mounting Plates	2.29
<hr/>	
● Riex NS20 / NS10 Slide-On	2.30
<hr/>	
● Riex NS30 Mini Hinges Slide-On	2.33
<hr/>	
● Other Hinges	2.35
<hr/>	
● Buffers	2.40
<hr/>	
● Push for Open	2.41
Riex Push for Open	2.41
IF K Push	2.43

Riex Cup Hinges Range

Clip-On

- System for convenient attachment and removal of the hinge from the mounting plate
- One step position adjustment

Slide-On

- Attachment between hinge and mounting plate must be secured with a screw
- Lower price compared to the CLIP-ON version
- Requires multi-step adjustment and less installation comfort

Clip-On Hinges



	NC70	NC50	NC40	NC20
Durability life cycles	●●●●●	●●●●●	●●●●	●●●
Price	€€€	€€€	€€	€€
Width of the range	●●●●●	●●	●●●●●	●
Functionality	●●●●●	●●●●●	●●●●	●●●

Slide-On Hinges

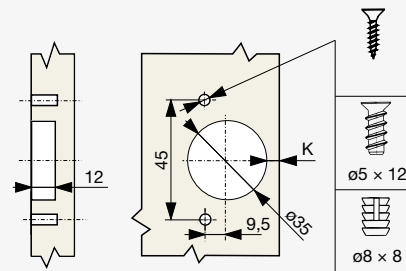


	NS40	NS20	NS10
Durability life cycles	●●●	●●	●●
Price	€€	€	€
Width of the range	●●	●	●
Functionality	●●	●	●

Basic Features of the Hinges

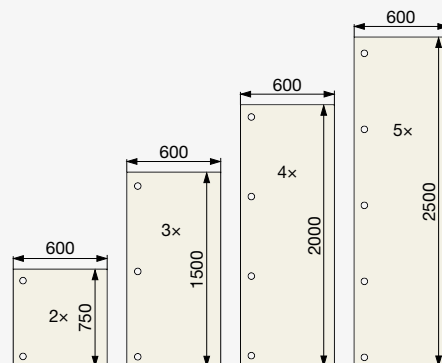
Drilling for Cup 35 mm

- All hinges have the same drilling pattern
- There are three ways of connections:
 - Screw-on
 - Euroscrews – requires pre-drilling
 - Dowels – requires pre-drilling
- The K value is specified for each hinge in a separate table
- For Mini hinges there is different diameter of the cup hole $\varnothing 26$. See p. 2.33



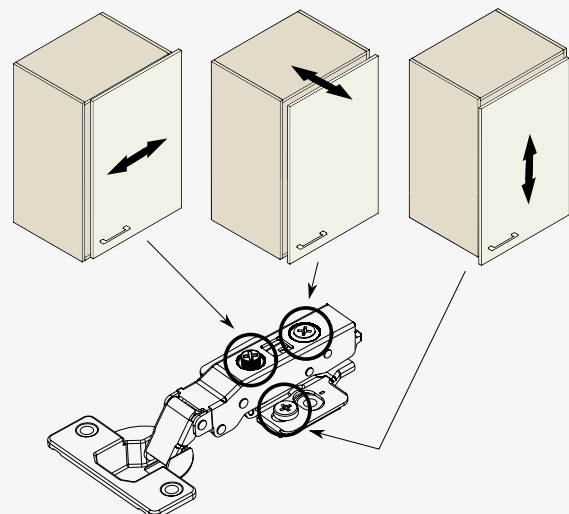
Number of Hinges

- For anchoring higher door more hinges should be used
- Maximum width of the door is 600 mm



Adjustment of the Hinge

- All hinges can be adjusted in 3 directions
- Use CAM screws in hinges and mounting plates for easier adjustment



Riex NC70 / NC50 Hinges, Clip-On

- Clip-On mechanism
- Flat design of CAM screw (for TOP models)
- Long steel damper
- Available also with QuickMount solution
- Wide range of hinges



☉ Riex NC70 Hinge, Full Overlay



Type	Code
Soft-close	F000001
Without soft-close	F000006
Unsprung [Push for open]	F000007

① p. 2.7

Recommended mounting plates:

- F000043 H0 screw-on with CAM
- F000046 H0 screw-on

Other mounting plates and covers NC70 / NC50 on p. 2.15.

☉ Riex NC70 Hinge, Full Overlay, Quick Mount ø8 mm



Type	Code
Soft-close	F000017

① p. 2.7

Recommended mounting plates:

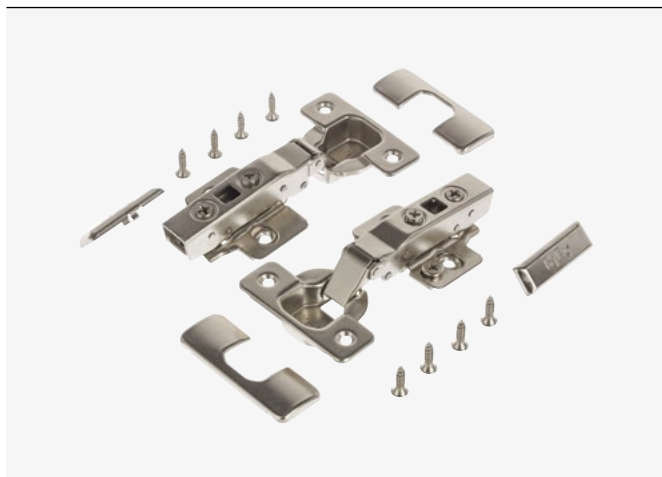
- F000043 H0 screw-on with CAM
- F000046 H0 screw-on

Other mounting plates and covers NC70 / NC50 on p. 2.15.

Quick mount drilling ø8 x 10 mm



☉ Riex NC70 Hinge, Full Overlay, Set of 2 Pieces



Type	Code
Soft-close	F000015

① p. 2.7

Contains:

- 2 pcs of hinges
- 2 pcs of mounting plate H0 screw-on with CAM
- 2 pcs of cover cap for arm
- 2 pcs of cover cap for cup

Packed in a bag for retail sale.

**⊕ Riex NC70 Hinge, Full Overlay
+ Plate H0**

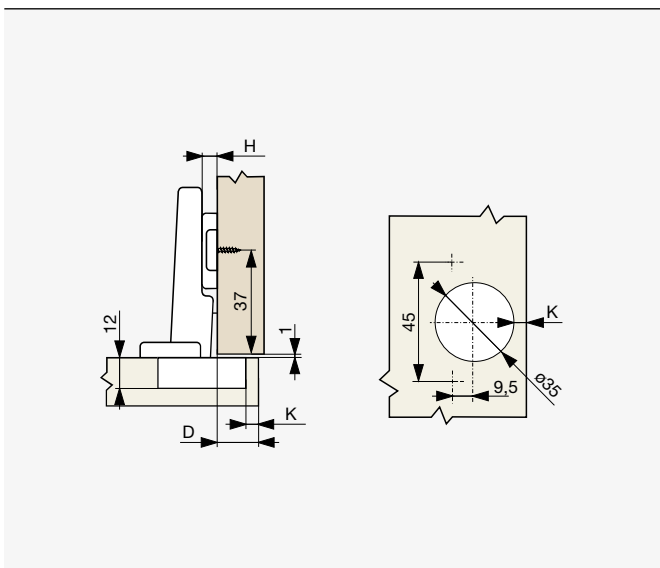


Type	Code
Soft-close	F000016

ⓘ p. 2.7

Contains:

- 1 pc of hinge
- 1 pc of mounting plate H0 screw-on



ⓘ Riex NC70 Hinges, full overlay

- Drawing and table valid for product on p. 2.6 and 2.7

K [mm]	Plate H0	Plate H2	Plate H4
	D [mm]	D [mm]	D [mm]
4	15	13	11
5	16	14	12
6	17	15	13

Adjustment ± 3 mm

⊕ Riex NC70 Hinge, Half Overlay

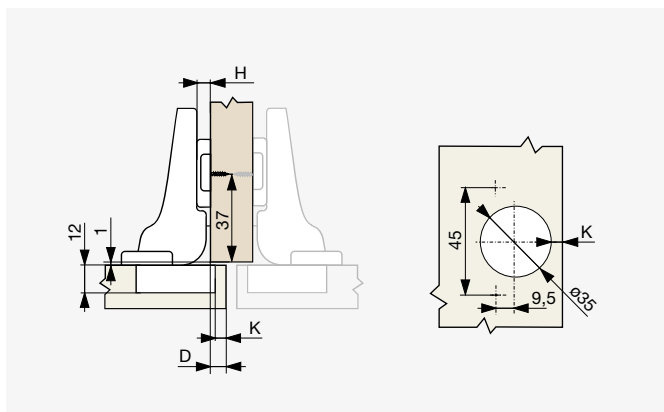


Type	Code
Soft-close	F000008
Without soft-close	F000009
Unsprung [Push for open]	F000010

Recommended mounting plates:

- F000043 H0 screw-on with CAM
- F000046 H0 screw-on

Other mounting plates and covers NC70 / NC50 on p. 2.15.



K [mm]	Plate H0	Plate H2	Plate H4
	D [mm]	D [mm]	D [mm]
4	6	4	2
5	7	5	3
6	8	6	4

Adjustment ± 3 mm.

⊕ Riex NC70 Hinge, Inset

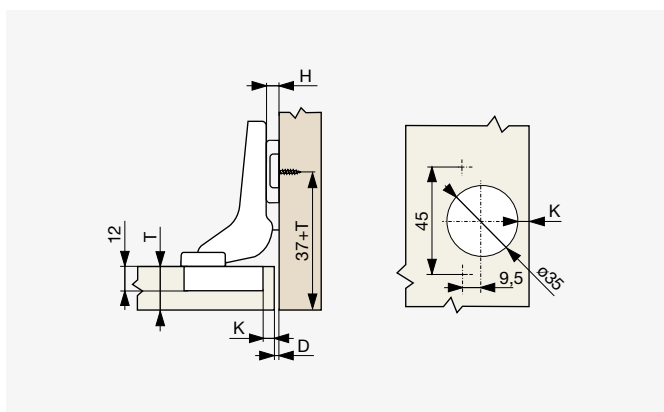


Type	Code
Soft-close	F000011
Without soft-close	F000012
Unsprung [Push for open]	F000013

Recommended mounting plates:

- F000043 H0 screw-on with CAM
- F000046 H0 screw-on

Other mounting plates and covers NC70 / NC50 on p. 2.15.



K [mm]	Plate H0	Plate H2	Plate H4
	D [mm]	D [mm]	D [mm]
3	4	6	8
4	3	5	7
5	2	4	6
6	1	3	5
7	0	2	4

Adjustment ± 3 mm

⊕ Riex NC70 Hinge 155°, Full Overlay with Zero Protrusion

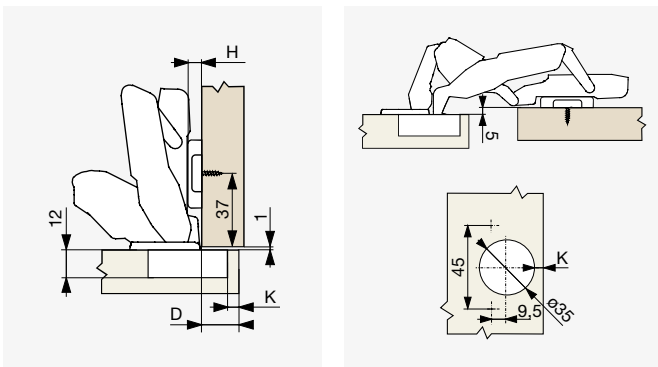


Type	Code
Soft-close	F000027
Unsprung [Push for open]	F000029

Zero protrusion function makes these hinges suitable for use with internal drawers and pull-out baskets.

- Recommended mounting plates:**
- F000043 H0 screw-on with CAM
 - F000046 H0 screw-on

Other mounting plates and covers NC70 / NC50 on p. 2.15.



K [mm]	Plate H0	Plate H2	Plate H4
	D [mm]	D [mm]	D [mm]
4	15	13	11
5	16	14	12
6	17	15	13

Adjustment ± 2 mm.

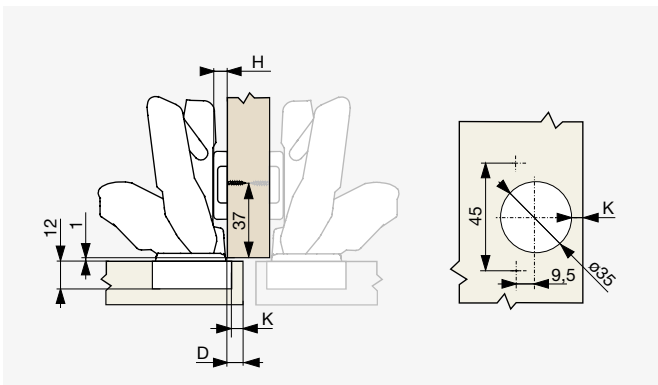
⊕ Riex NC70 Hinge 165°, Half Overlay



Type	Code
Soft-close	F000030
Unsprung [Push for open]	F000031

- Recommended mounting plates:**
- F000043 H0 screw-on with CAM
 - F000046 H0 screw-on

Other mounting plates and covers NC70 / NC50 on p. 2.15.



K [mm]	Plate H0	Plate H2	Plate H4
	D [mm]	D [mm]	D [mm]
4	6	4	2
5	7	5	3
6	8	6	4

Adjustment ± 2 mm.

⊕ Riex NC70 Hinge 165°, Inset

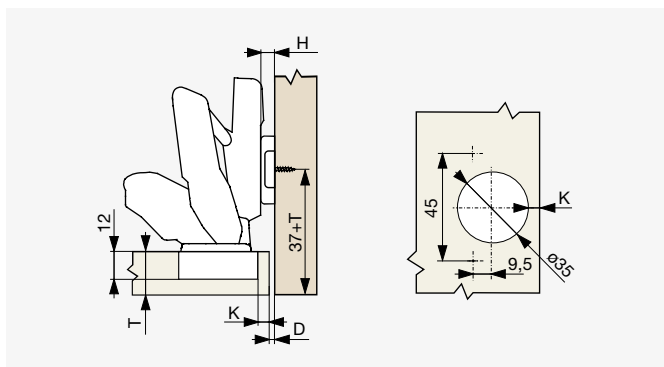


Type	Code
Soft-close	F000032
Unsprung [Push for open]	F000033

Recommended mounting plates:

- F000044 H2 screw-on with CAM
- F000047 H2 screw-on

Other mounting plates and covers NC70 / NC50 on p. 2.15.



K [mm]	Plate H2	Plate H4
	D [mm]	D [mm]
4	1	3
5	0	2
6	-1	1

Adjustment ± 3 mm.

⊕ Riex NC70 Hinge 30°

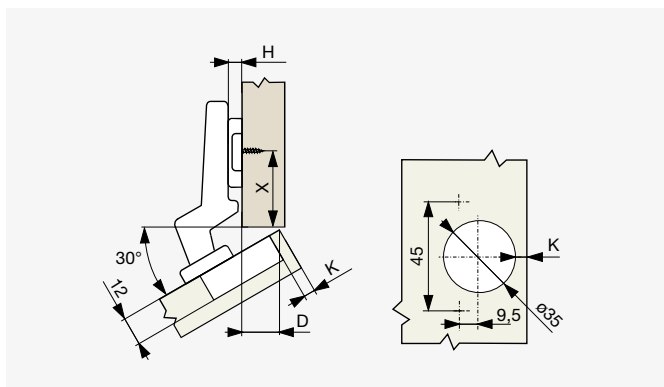


Type	Code
Soft-close	F000034
Unsprung [Push for open]	F000035

Recommended mounting plates:

- F000043 H0 screw-on with CAM
- F000046 H0 screw-on

Other mounting plates and covers NC70 / NC50 on p. 2.15.



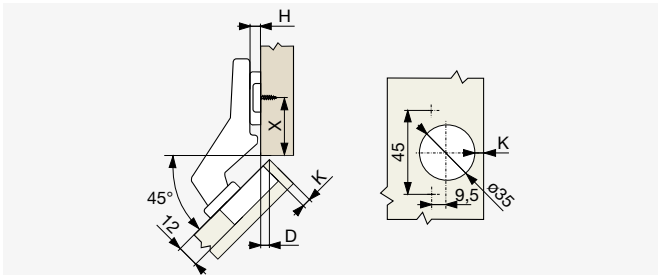
K [mm]	X [mm]	Plate H0	Plate H2	Plate H4
		D [mm]	D [mm]	D [mm]
4	37	3	1	-1
5	36	4	2	0
6	35	5	3	1
7	34	6	4	2

Adjustment ± 3 mm.

⊕ Riex NC70 Hinge 45°



Type	Code
Soft-close	F000036
Unsprung [Push for open]	F000037



Recommended mounting plates:

- F000043 H0 screw-on with CAM
- F000046 H0 screw-on

Other mounting plates and covers NC70 / NC50 on p. 2.15.

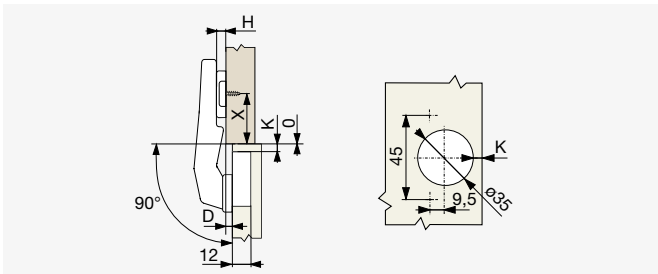
K [mm]	X [mm]	Plate H0	Plate H2	Plate H4
		D [mm]	D [mm]	D [mm]
4	37	3	1	-1
5	36	4	2	0
6	35	5	3	1

Adjustment ± 3 mm.

⊕ Riex NC70 Hinge 90°



Type	Code
Soft-close	F000038
Unsprung [Push for open]	F000039



Recommended mounting plates:

- F000043 H0 screw-on with CAM
- F000046 H0 screw-on

Other mounting plates and covers NC70 / NC50 on p. 2.15.

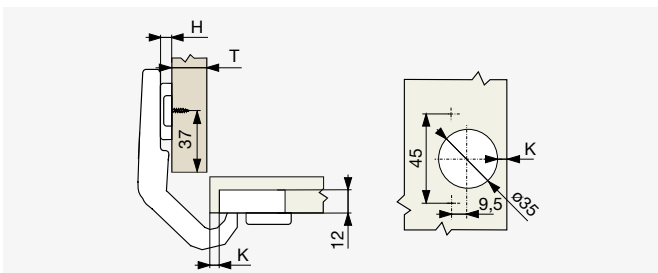
K [mm]	X [mm]	Plate H0	Plate H2	Plate H4
		D [mm]	D [mm]	D [mm]
4	20	3	1	-1
5	19	3	1	-1

Adjustment ± 3 mm.

⊕ Riex NC70 Hinge 135°



Type	Code
Without soft-close	F000040



The hinge is designed for corner cabinets with folding doors.

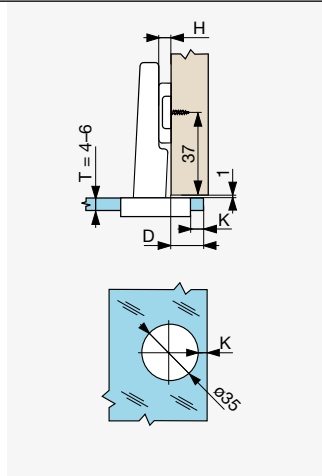
Recommended mounting plates:

- F000043 H0 screw-on with CAM
- F000046 H0 screw-on

Other mounting plates and covers NC70 / NC50 on p. 2.15.

T [mm]	Height of plate
18-22	H0
16	H2

⊕ Riex NC70 Hinge, Full Overlay, for Glass Door



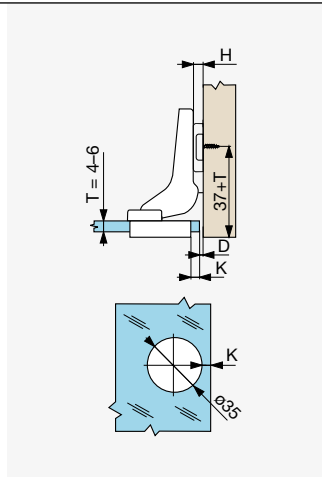
Type	Code
Soft-close	F000143

Recommended mounting plates:
 • F000043 H0 screw-on with CAM
 • F000046 H0 screw-on
 Other mounting plates and covers NC70 / NC50 on p. 2.15.

K [mm]	Plate H0	Plate H2	Plate H4
	D [mm]	D [mm]	D [mm]
4	15	13	11
5	16	14	12
6	17	15	13

Adjustment ± 3 mm.

⊕ Riex NC70 Hinge, Inset, for Glass Door



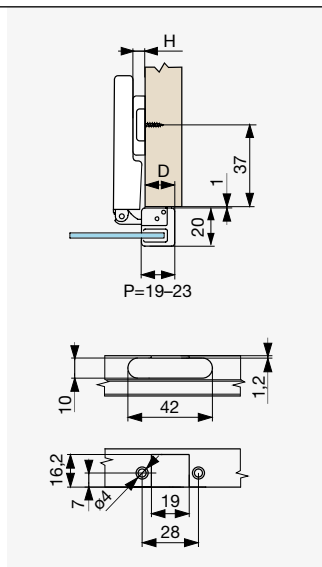
Type	Code
Soft-close	F000145

Recommended mounting plates:
 • F000043 H0 screw-on with CAM
 • F000046 H0 screw-on
 Other mounting plates and covers NC70 / NC50 on p. 2.15.

K [mm]	Plate H0	Plate H2	Plate H4
	D [mm]	D [mm]	D [mm]
4	3	5	7
5	2	4	6
6	1	3	5

Adjustment ± 3 mm.

⊕ Riex NC70 Hinge, Full Overlay, for Slim Aluminium Frame



Type	Code
Soft-close	F003334

Recommended mounting plates:
 • F000043 H0 screw-on with CAM
 • F000046 H0 screw-on
 Other mounting plates and covers NC70 / NC50 on p. 2.15.
 The hinges include the screws for mounting the hinge to the frame.

P [mm]	Plate H0	Plate H2	Plate H4
	D [mm]	D [mm]	D [mm]
19	17	15	13
20	18	16	14
21	19	17	15
22	20	18	16
23	21	19	17

Adjustment ± 3 mm.

➤ Riex NC50 Hinge, Full Overlay



Type	Code
Soft-close	F000014
Without soft-close	F000019

📄 p. 2.13

- Recommended mounting plates:**
- F000043 H0 screw-on with CAM
 - F000046 H0 screw-on
- Other mounting plates and covers NC70 / NC50 on p. 2.15.

➤ Riex NC50 Hinge, Full Overlay + Plate H0



Type	Code
Soft-close	F000003

📄 p. 2.13

- Contains:**
- 1 pc of hinge
 - 1 pc of mounting plate H0 screw-on

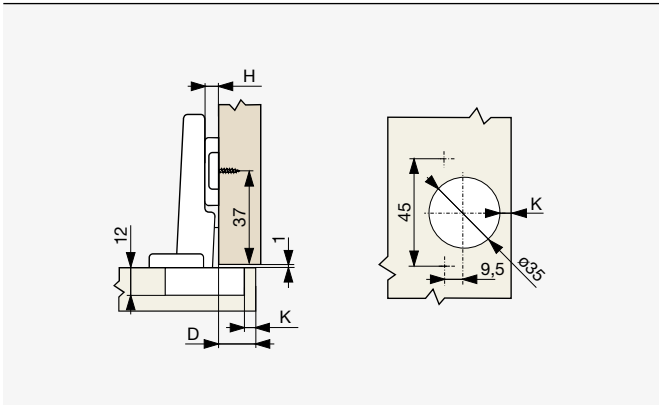
➤ Riex NC50 Hinge, Full Overlay, with Euroscrews



Type	Code
Soft-close	F000005

📄 p. 2.13

- Recommended mounting plates:**
- F000043 H0 screw-on with CAM
 - F000049 H0 with euroscrews
- Other mounting plates and covers NC70 / NC50 on p. 2.15.



📄 Riex NC50 full overlay

- Drawing and table valid for product on p. 2.13

K [mm]	Plate H0	Plate H2	Plate H4
	D [mm]	D [mm]	D [mm]
4	15	13	11
5	16	14	12
6	17	15	13

Adjustment ± 3 mm.

⊕ Riex NC50 Hinge, Half Overlay

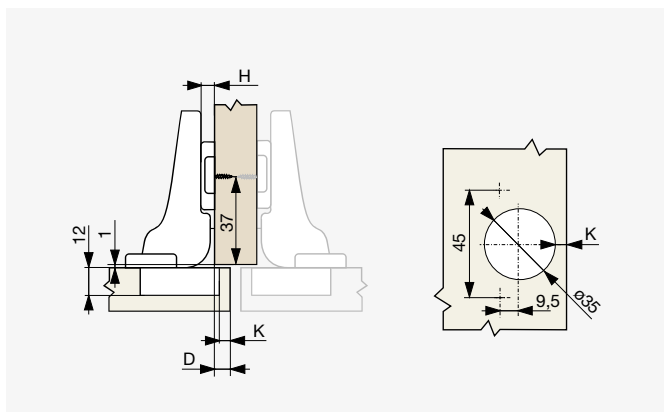


Type	Code
Soft-close	F000021
Without soft-close	F000022

Recommended mounting plates:

- F000043 H0 screw-on with CAM
- F000046 H0 screw-on

Other mounting plates and covers NC70 / NC50 on p. 2.15.



K [mm]	Plate H0	Plate H2	Plate H4
	D [mm]	D [mm]	D [mm]
4	6	4	2
5	7	5	3
6	8	6	4

Adjustment ± 3 mm.

⊕ Riex NC50 Hinge, Inset

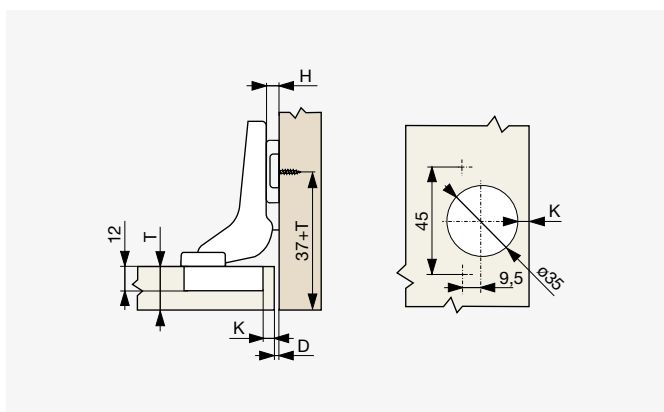


Type	Code
Soft-close	F000024
Without soft-close	F000025

Recommended mounting plates:

- F000043 H0 screw-on with CAM
- F000046 H0 screw-on

Other mounting plates and covers NC70 / NC50 on p. 2.15.

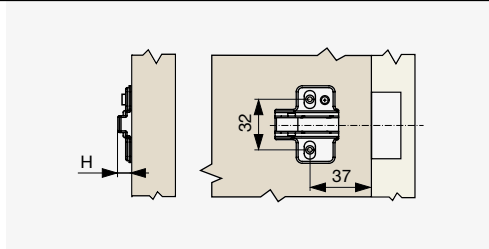


K [mm]	Plate H0	Plate H2	Plate H4
	D [mm]	D [mm]	D [mm]
4	3	5	7
5	2	4	6
6	1	3	5

Adjustment ± 3 mm.

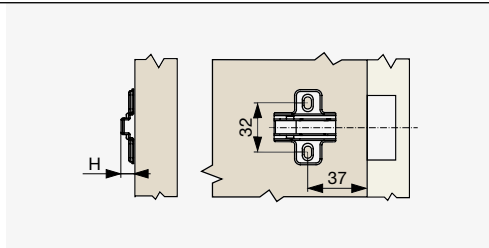
Riex NC70 / NC50 Mounting Plates and Accessories

Plate Screw-On with CAM



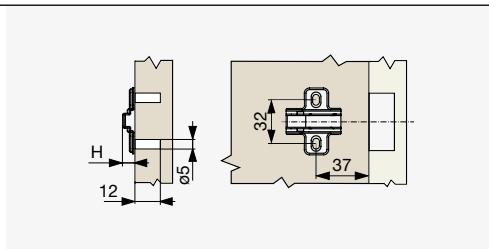
Type	Code
H0	F000043
H2	F000044
H4	F000045

Plate Screw-On



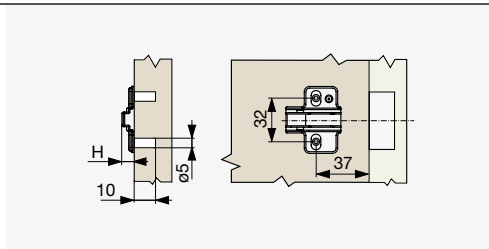
Type	Code
H0	F000046
H2	F000047
H4	F000048

Plate with Euroscrews



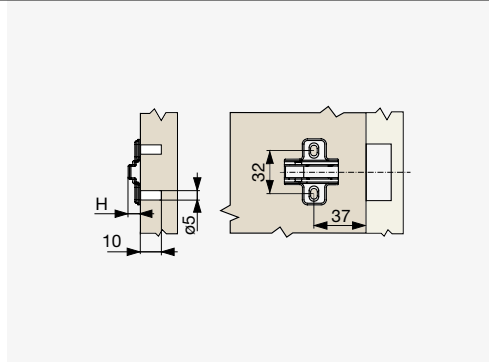
Type	Code
H0	F000049

Plate with Dowels ø5 mm and with CAM



Type	Code
H0	F000050

⊕ Plate with Dowels $\varnothing 5$ mm



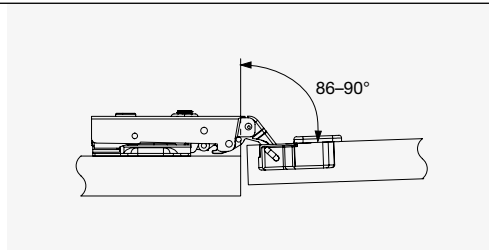
Type	Code
H0	F00051

⊕ Cover Caps



Type	Code
Cup	F00053
Arm	F00054

⊕ Opening Angle Restrictor



Type	Code
Reduce to 90°	F003063

Riex NC40 Hinge, Clip-On

⊕ Riex NC40 Hinge, Full Overlay



Type	Code
Soft-close	F00058
Without soft-close	F00063

ⓘ p. 2.18

Recommended mounting plates:

- F00093 H0 screw-on with CAM
- F00096 H0 screw-on

Other mounting plates and covers NC40 on p. 2.24.

⊕ Riex NC40 Hinge, Full Overlay without CAM



Type	Code
Without soft-close	F00071

ⓘ p. 2.18

Recommended mounting plates:

- F00096 H0 screw-on

Other mounting plates and covers NC40 on p. 2.24.

⊕ Riex NC40 Hinge, Full Overlay with Euroscrews



Type	Code
Soft-close	F003496

ⓘ p. 2.18

Recommended mounting plates:

- F00093 H0 screw-on with CAM
- F00099 H0 with euroscrews

Other mounting plates and covers NC40 on p. 2.24.

⊕ Riex NC40 Hinge, Full Overlay + Plate H0 with CAM



Type	Code
Soft-close	F000060

① p. 2.18

Contains:

- 1 pc hinge
- 1 pc of mounting plate H0 screw-on with CAM

⊕ Riex NC40 Hinge, Full Overlay + Plate H0

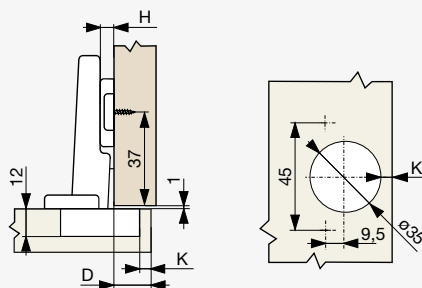


Type	Code
Soft-close	F000061

① p. 2.18

Contains:

- 1 pc hinge
- 1 pc of mounting plate H0 screw-on



① Riex NC40 Hinge, full overlay

- Drawing and table valid for product on p. 2.17 and 2.18

K [mm]	Plate H0	Plate H2	Plate H4
	D [mm]	D [mm]	D [mm]
4	14	12	10
5	15	13	11
6	16	14	12

Adjustment ± 4 mm.

⊕ Riex NC40 Hinge, Half Overlay

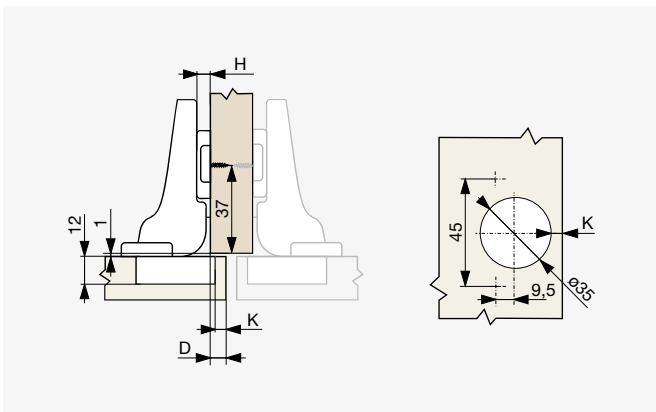


Type	Code
Soft-close	F000065
Without soft-close	F000066

Recommended mounting plates:

- F000093 H0 screw-on with CAM
- F000096 H0 screw-on

Other mounting plates and covers NC40 on p. 2.24.



K [mm]	Plate H0	Plate H2	Plate H4
	D [mm]	D [mm]	D [mm]
4	4	2	0
5	5	3	1
6	6	4	2

Adjustment ± 4 mm.

⊕ Riex NC40 Hinge, Inset

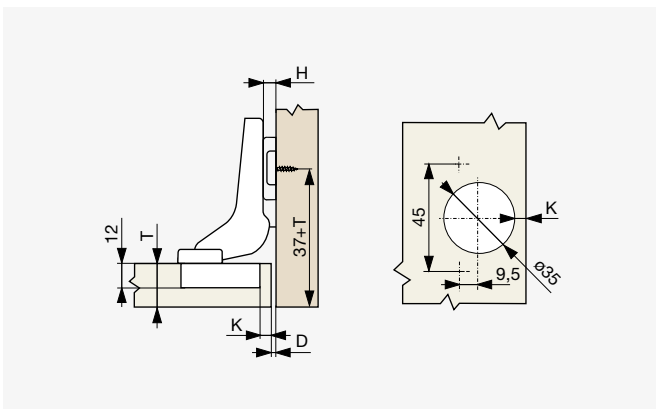


Type	Code
Soft-close	F000068
Without soft-close	F000069

Recommended mounting plates:

- F000093 H0 screw-on with CAM
- F000096 H0 screw-on

Other mounting plates and covers NC40 on p. 2.24.



K [mm]	Plate H0	Plate H2	Plate H4
	D [mm]	D [mm]	D [mm]
4	4	6	8
5	3	5	7
6	2	4	6

Adjustment ± 4 mm.

⊕ Riex NC40 Hinge 155°, Full Overlay with Zero Protrusion



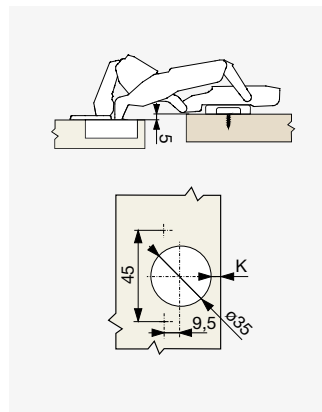
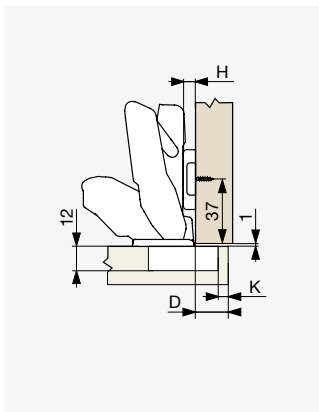
Type	Code
Soft-close	F000074

Zero protrusion function makes these hinges suitable for use with internal drawers and pull-out baskets.

Recommended mounting plates:

- F000093 H0 screw-on with CAM
- F000096 H0 screw-on

Other mounting plates and covers NC40 on p. 2.24.



K [mm]	Plate H0	Plate H2	Plate H4
	D [mm]	D [mm]	D [mm]
4	15	13	11
5	16	14	12
6	17	15	13

Adjustment ± 3 mm.

⊕ Riex NC40 Hinge 155°, Half Overlay

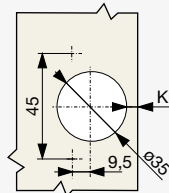
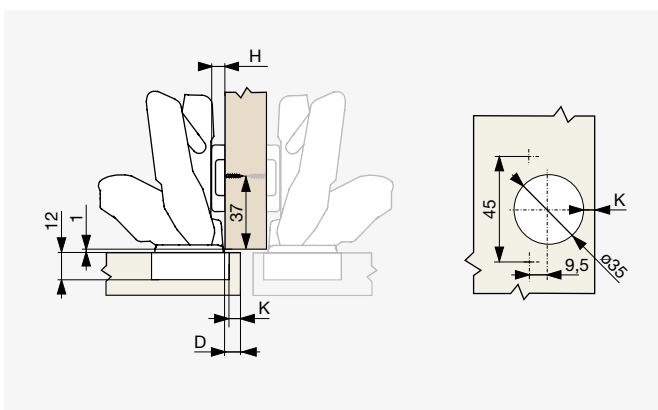


Type	Code
Soft-close	F000077

Recommended mounting plates:

- F000093 H0 screw-on with CAM
- F000096 H0 screw-on

Other mounting plates and covers NC40 on p. 2.24.



K [mm]	Plate H0	Plate H2	Plate H4
	D [mm]	D [mm]	D [mm]
4	6	4	2
5	7	5	3
6	8	6	4

Adjustment ± 3 mm.

⊕ Riex NC40 Hinge 155°, Inset

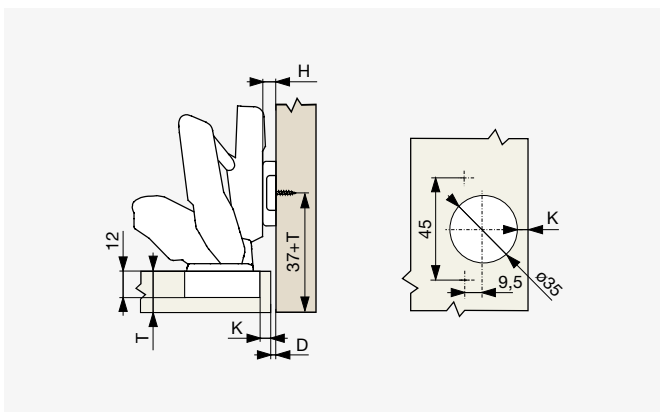


Type	Code
Soft-close	F000079

Recommended mounting plates:

- F000093 H0 screw-on with CAM
- F000096 H0 screw-on

Other mounting plates and covers NC40 on p. 2.24.



K [mm]	Plate H0	Plate H2	Plate H4
	D [mm]	D [mm]	D [mm]
4	0	2	4
5	-1	1	3
6	-2	0	2

Adjustment ± 3 mm.

⊕ Riex NC40 Hinge 30°

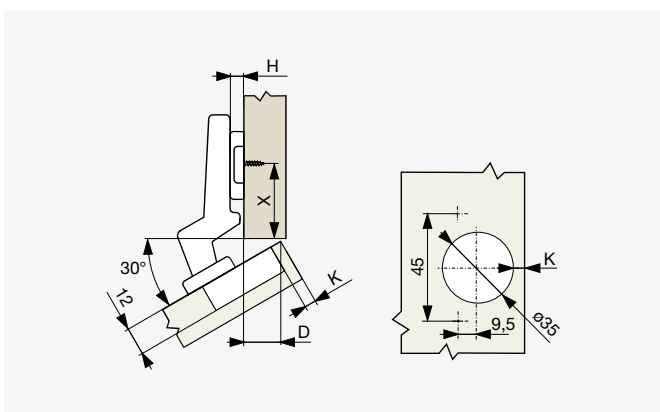


Type	Code
Soft-close	F000081
Without soft-close	F000082

Recommended mounting plates:

- F000093 H0 screw-on with CAM
- F000096 H0 screw-on

Other mounting plates and covers NC40 on p. 2.24.



K [mm]	X [mm]	Plate H0	Plate H2	Plate H4
		D [mm]	D [mm]	D [mm]
5	36	3	1	-1
6	35	4	2	0
7	34	5	3	1

Adjustment ± 3 mm.

⊕ Riex NC40 Hinge 45°

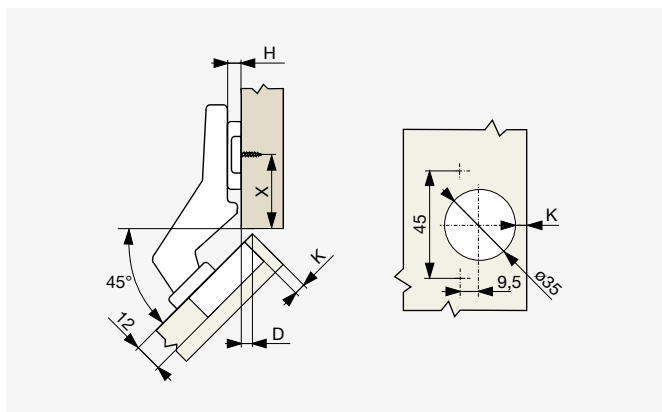


Type	Code
Soft-close	F000084
Without soft-close	F000085

Recommended mounting plates:

- F000093 H0 screw-on with CAM
- F000096 H0 screw-on

Other mounting plates and covers NC40 on p. 2.24.



K [mm]	X [mm]	Plate H0	Plate H2	Plate H4
		D [mm]	D [mm]	D [mm]
4	37	4	2	0
5	36	5	3	1
6	35	6	4	2
7	37	7	5	3

Adjustment ± 3 mm.

⊕ Riex NC40 Hinge 90°

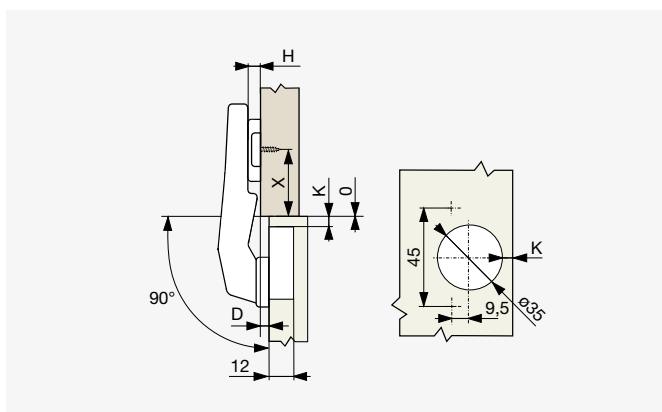


Type	Code
Soft-close	F000087
Without soft-close	F000088

Recommended mounting plates:

- F000093 H0 screw-on with CAM
- F000096 H0 screw-on

Other mounting plates and covers NC40 on p. 2.24.



K [mm]	X [mm]	Plate H0	Plate H2	Plate H4
		D [mm]	D [mm]	D [mm]
4	20	3	1	-1
5	19	3	1	-1

Adjustment ± 3 mm.

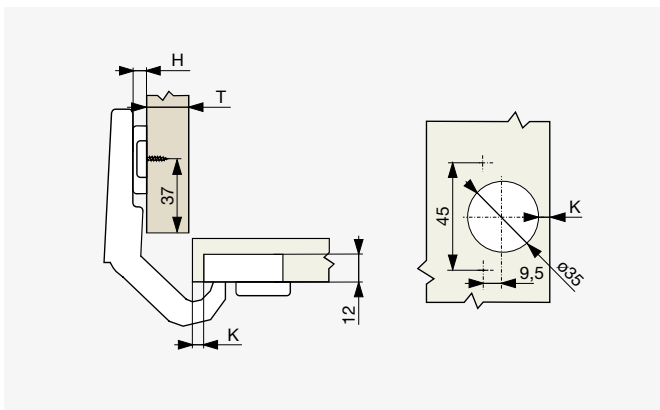
⊕ Riex NC40 Hinge 135°



Type	Code
Without soft-close	F00090

The hinge is designed for corner cabinets with folding doors.

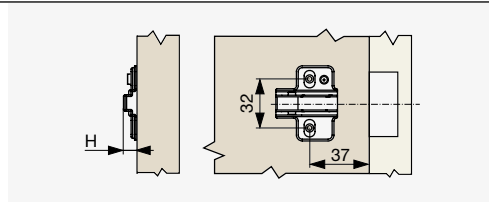
- Recommended mounting plates:**
- F00093 H0 screw-on with CAM
 - F00096 H0 screw-on
- Other mounting plates and covers NC40 on p. 2.24.



T [mm]	Height of plate
18-22	H0
16	H2

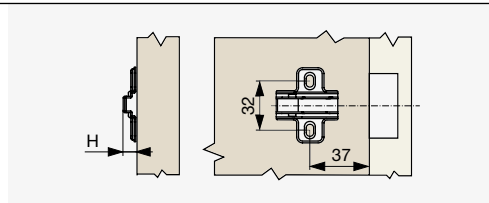
Riex NC40 Mounting Plates and Accessories

Plate Screw-On with CAM



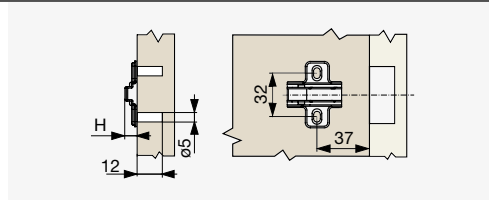
Type	Code
H0	F000093
H2	F000094
H4	F000095

Plate Screw-On



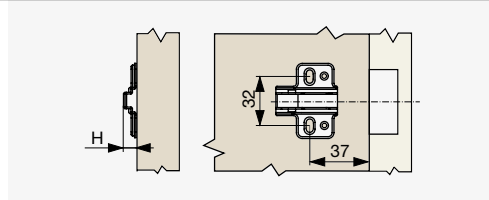
Type	Code
H0	F000096
H2	F000097
H4	F000098

Plate with Euroscrews



Type	Code
H0	F000099

Plate Screw-On [4 holes]



Type	Code
H0	F000100

Cover Caps



Type	Code
Cup	F000102
Arm - full overlay hinges	F000103
Arm - half overlay and inset hinges	F000104

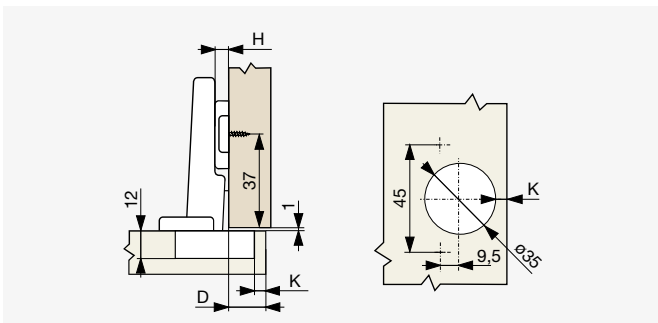
Riex NC20 Hinge, Clip-On

⊕ Riex NC20 Hinge, Full Overlay + Plate H0



Type	Code
Soft-close	F000123

- Contains:**
- 1 pc hinge
 - 1 pc mounting plate H0 screw-on



K [mm]	Plate H0
	D [mm]
4	16
5	17
6	18

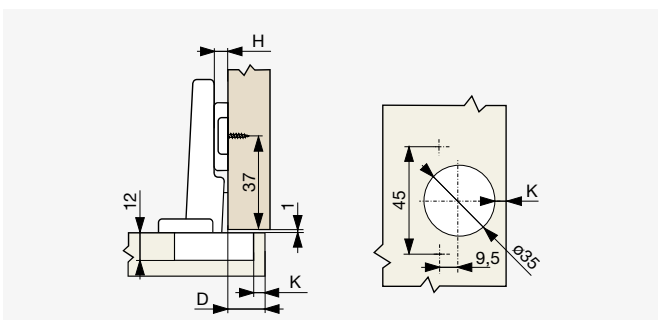
Adjustment ± 2 mm.

⊕ Riex NC20 Hinge, Full Overlay + Plate H0 with Euroscrews



Type	Code
Soft-close	F000124

- Contains:**
- 1 pc hinge
 - 1 pc mounting plate H0 with euroscrews [predrill holes ø5 × 12 mm]



K [mm]	Plate H0
	D [mm]
4	16
5	17
6	18

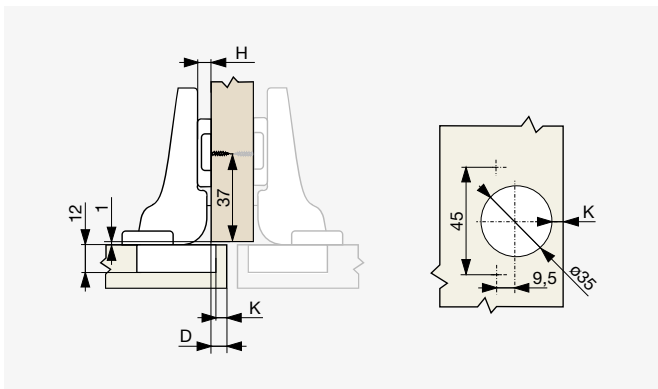
Adjustment ± 2 mm.

⊕ Riex NC20 Hinge, Half Overlay + Plate H0



Type	Code
Soft-close	F000125

- Contains:**
- 1 pc hinge
 - 1 pc mounting plate H0 screw-on



K [mm]	Plate H0
	D [mm]
4	7
5	8
6	9

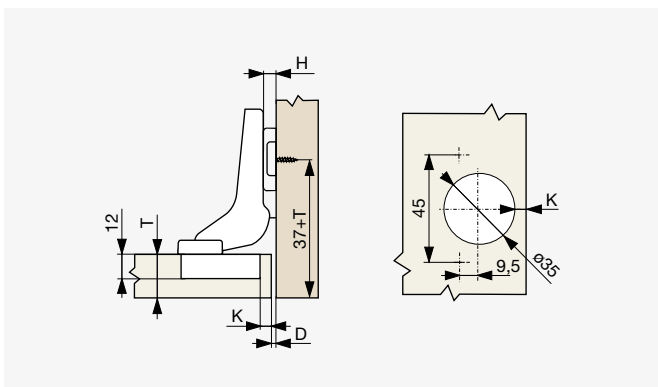
Adjustment ± 2 mm.

⊕ Riex NC20 Hinge, Inset + Plate H0



Type	Code
Soft-close	F000126

- Contains:**
- 1 pc hinge
 - 1 pc mounting plate H0 screw-on



K [mm]	Plate H0
	D [mm]
4	2
5	1
6	0

Adjustment ± 2 mm.

Riex NS40 Hinge, Slide-On

⊕ Riex NS40 Hinge, Full Overlay

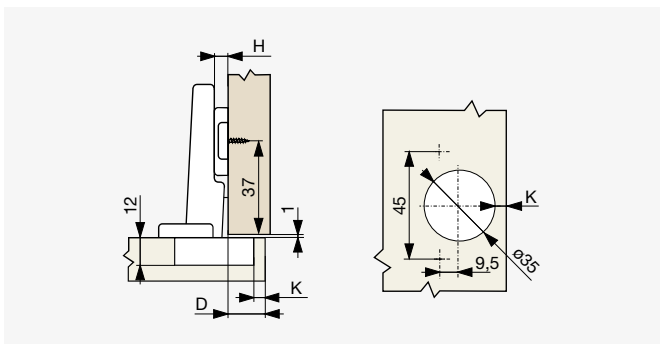


Type	Code
Without soft-close	F000107

Recommended mounting plates:

- F000115 H0 screw-on
- F000116 H0 with euroscrews

Other mounting plates and covers NS40 on p. 2.29.



K [mm]	Plate H0	Plate H2	Plate H4
	D [mm]	D [mm]	D [mm]
4	13	11	9
5	14	12	10
6	15	13	11

Adjustment ± 4 mm.

⊕ Riex NS40 Hinge, Full Overlay with Euroscrews

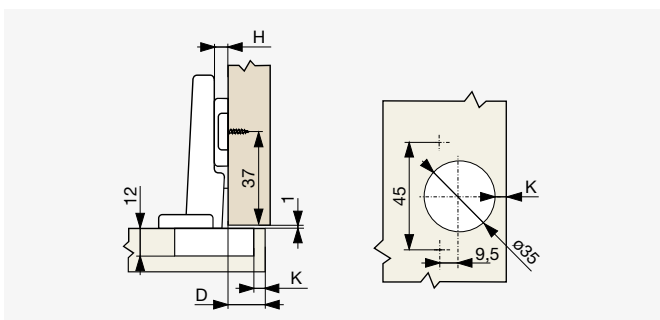


Type	Code
Without soft-close	F000108

Recommended mounting plates:

- F000115 H0 screw-on
- F000116 H0 with euroscrews

Other mounting plates and covers NS40 on p. 2.29.



K [mm]	Plate H0	Plate H2	Plate H4
	D [mm]	D [mm]	D [mm]
4	13	11	9
5	14	12	10
6	15	13	11

Adjustment ± 4 mm.

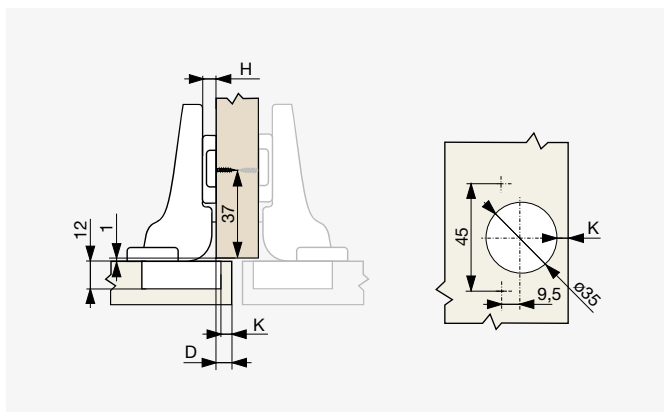
⊕ Riex NS40 Hinge, Half Overlay



Type	Code
Without soft-close	F000111

Recommended mounting plates:

- F000115 H0 screw-on
 - F000116 H0 with euroscrews
- Other mounting plates and covers NS40 on p. 2.29.



K [mm]	Plate H0	Plate H2	Plate H4
	D [mm]	D [mm]	D [mm]
4	4	2	0
5	5	3	1
6	6	4	2

Adjustment ± 4 mm.

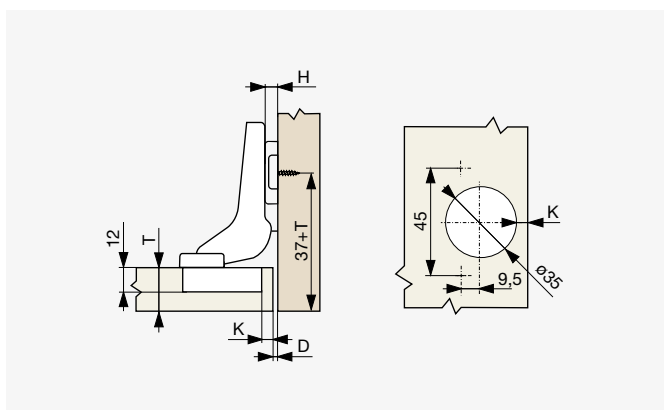
⊕ Riex NS40 Hinge, Inset



Type	Code
Without soft-close	F000112

Recommended mounting plates:

- F000115 H0 screw-on
 - F000116 H0 with euroscrews
- Other mounting plates and covers NS40 on p. 2.29.

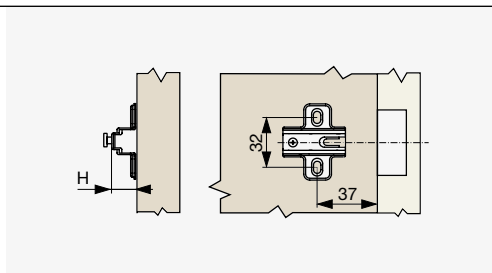


K [mm]	Plate H0	Plate H2	Plate H4
	D [mm]	D [mm]	D [mm]
4	4	6	8
5	3	5	7
6	2	4	6

Adjustment ± 4 mm.

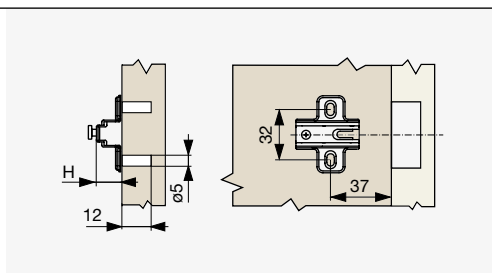
Riex NS40 Mounting Plates

⊖ Plate Screw-On



Type	Code
H0	F000115
H2	F000117
H4	F000118

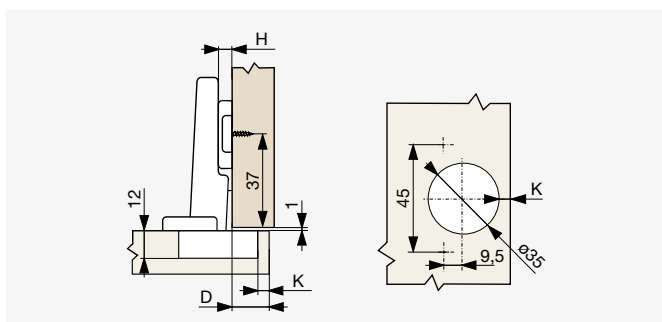
⊖ Plate with Euroscrews



Type	Code
H0	F000116

Riex NS20 Hinge, Slide-On

⊕ Riex NS20 Hinge, Full Overlay + Plate H0 **ECONOMY**



Type	Code
Without soft-close	F000127

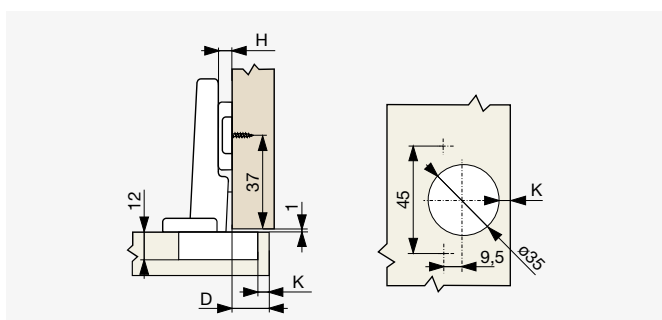
Contains:

- 1 pc hinge
- 1 pc mounting plate H0 screw-on

K [mm]	Plate H0
	D [mm]
4	16
5	17
6	18

Adjustment ± 2 mm.

⊕ Riex NS20 Hinge, Full Overlay + Plate H0 with Euroscrews **ECONOMY**



Type	Code
Without soft-close	F000128

Contains:

- 1 pc hinge
- 1 pc mounting plate H0 with euroscrews

K [mm]	Plate H0
	D [mm]
4	16
5	17
6	18

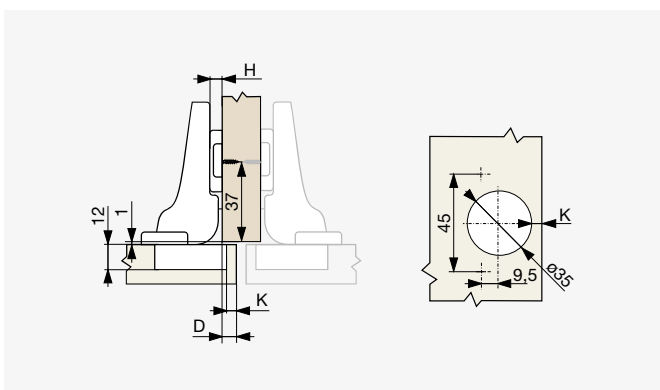
Adjustment ± 2 mm.

**⊕ Riex NS20 Hinge, Half Overlay
+ Plate H0 **ECONOMY****



Type	Code
Without soft-close	F000130

- Contains:**
- 1 pc hinge
 - 1 pc mounting plate H0 screw-on



K [mm]	Plate H0
	D [mm]
4	7
5	8
6	9

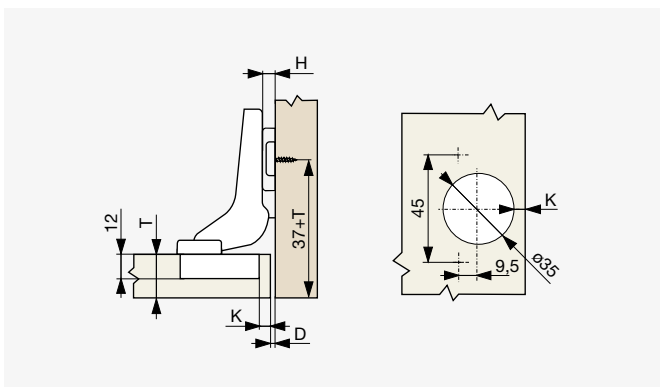
Adjustment ± 2 mm.

**⊕ Riex NS20 Hinge, Inset
+ Plate H0 **ECONOMY****



Type	Code
Without soft-close	F000131

- Contains:**
- 1 pc hinge
 - 1 pc mounting plate H0 screw-on

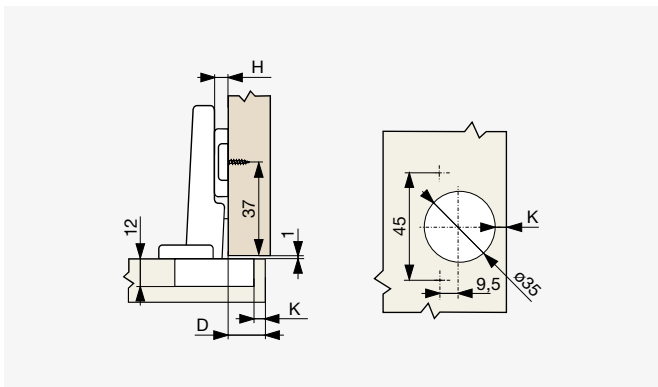


K [mm]	Plate H0
	D [mm]
4	2
5	1
7	0

Adjustment ± 2 mm.

Riex NS10 Hinge, Slide-On

⊕ Riex NS10 Hinge, Full Overlay + Plate H0 **ECONOMY**



Type	Code
Without soft-close	F000129

K [mm]	Plate H0	
	D [mm]	
4	16	
5	17	
6	18	

Adjustment ± 2 mm.

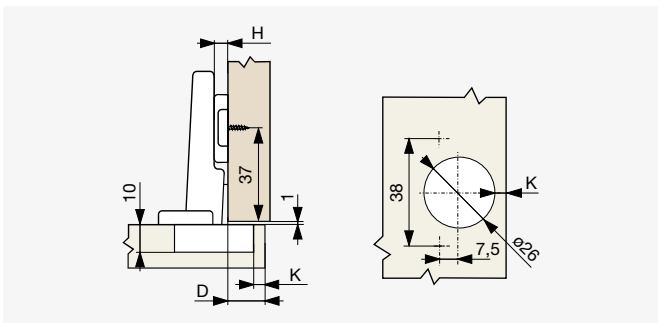
Riex NS30 Mini Hinges, Slide-On

⊕ Riex NS30 Hinge, ø26 mm Cup, Full Overlay + Plate H0



Type	Code
Without soft-close	F000136

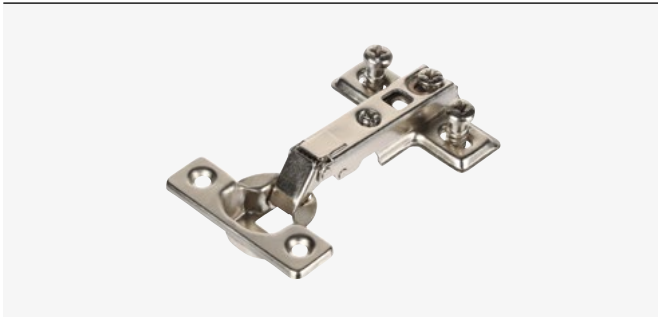
- Contains:**
- 1 pc hinge
 - 1 pc mounting plate H0 screw-on



K [mm]	Plate H0
	D [mm]
3	14
4	15
5	16

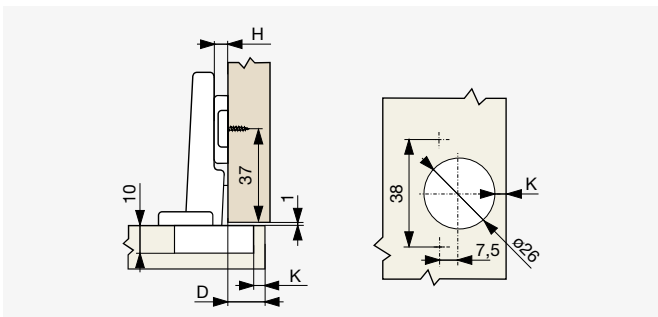
Adjustment ± 1,5 mm.

⊕ Riex NS30 Hinge, ø26 mm Cup, Full Overlay + Plate H0 with Euroscrews



Type	Code
Without soft-close	F000137

- Contains:**
- 1 pc hinge
 - 1 pc mounting plate H0 with euroscrews [predrill holes ø5 x 12 mm]



K [mm]	Plate H0
	D [mm]
3	14
4	15
5	16

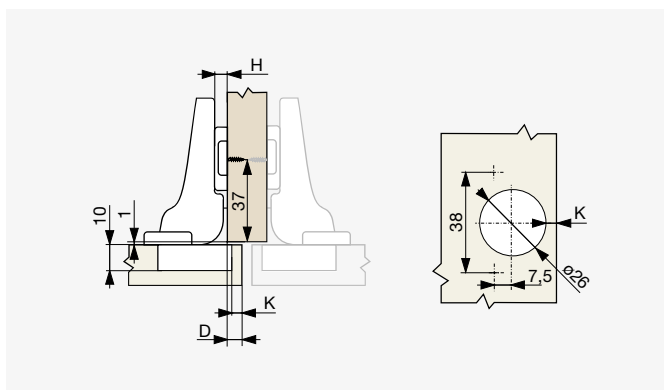
Adjustment ± 1,5 mm.

⊕ Riex NS30 Hinge, ø26 mm Cup, Half Overlay + Plate H0



Type	Code
Without soft-close	F000138

- Contains:**
- 1 pc hinge
 - 1 pc mounting plate H0 screw-on



K [mm]	Plate H0
	D [mm]
3	6
4	7
5	8

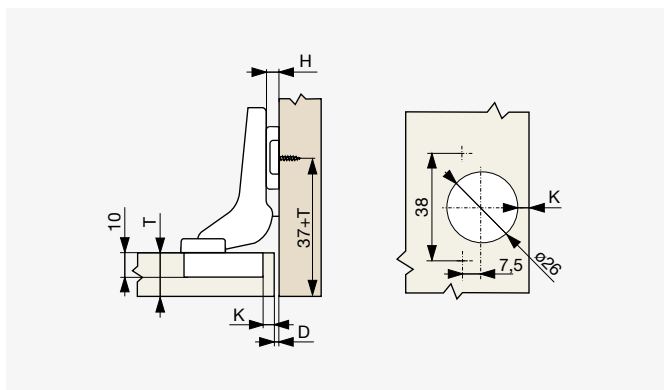
Adjustment ± 1,5 mm.

⊕ Riex NS30 Hinge, ø26 mm Cup, Inset + Plate H0



Type	Code
Without soft-close	F000139

- Contains:**
- 1 pc hinge
 - 1 pc mounting plate H0 screw-on

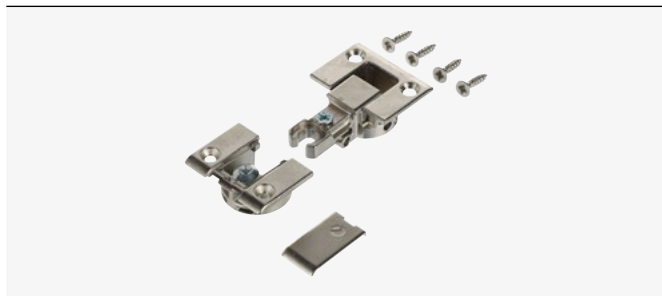


K [mm]	Plate H0
	D [mm]
3	3
4	2
5	1

Adjustment ± 1,5 mm

Other Hinges

● IF Kimana Hinge

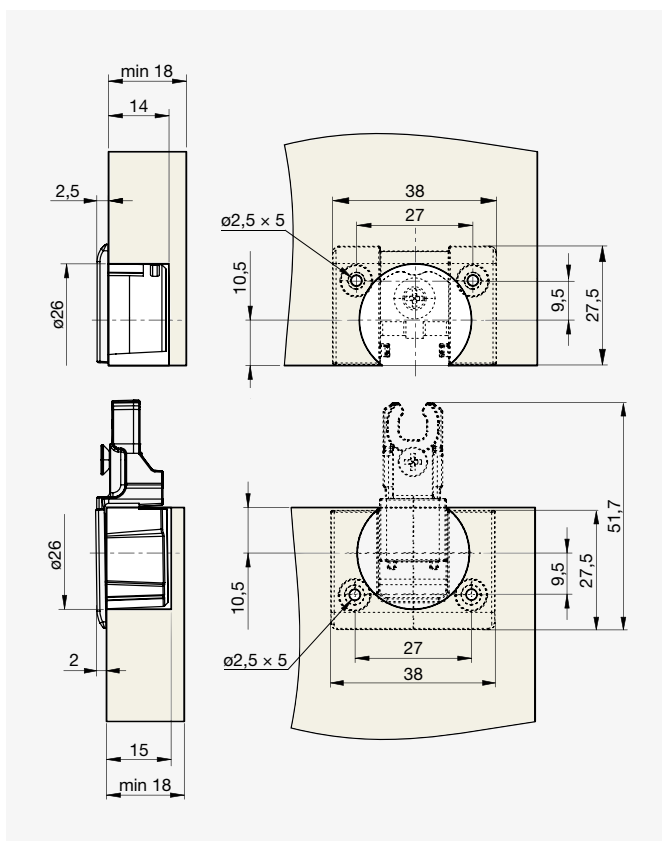


● Nickel plated

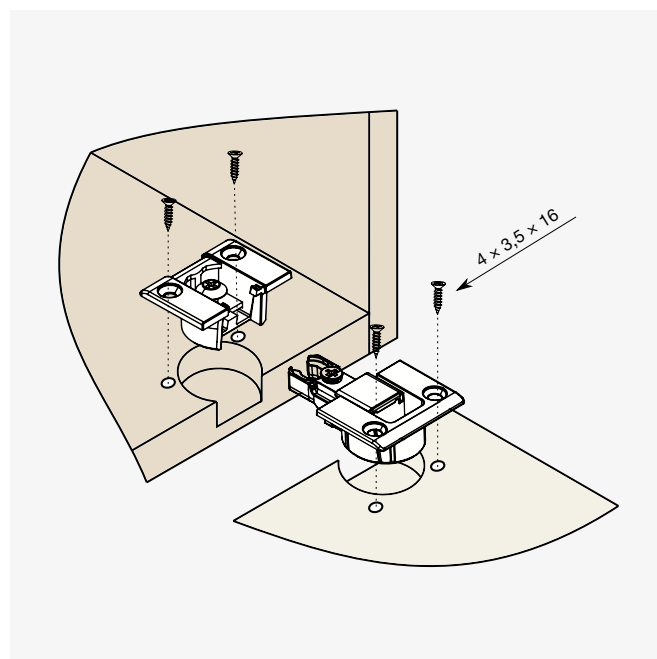


● Anthracite

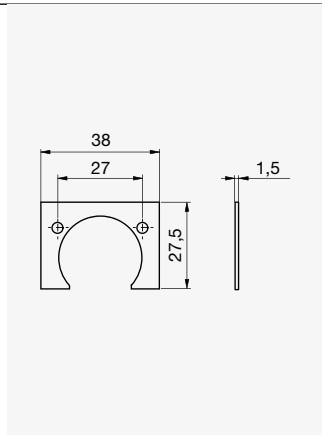
Colour	Code
Nickel plated	F002664
Anthracite	F002665



Ideal model of hinge to combine with any drop-down opening mechanism. See on chapter 3.



● IF Kiamana Hinge Accessories



Code	Type
F002666	Spacer 1,5 mm

- Optional accessories if using different thickness of the boards
- Possible to use more plates to delete the differences

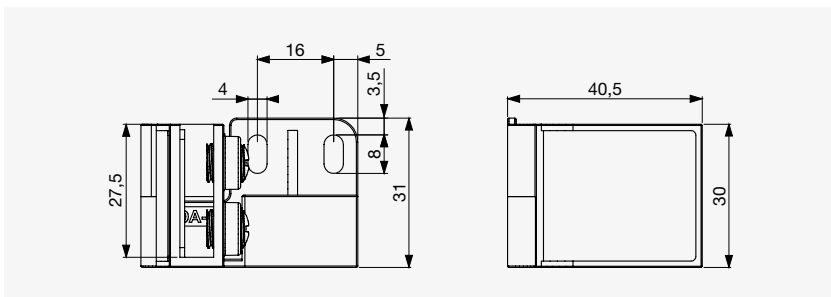


⊖ Riex NG50 Hinge for Glass Door, Inset

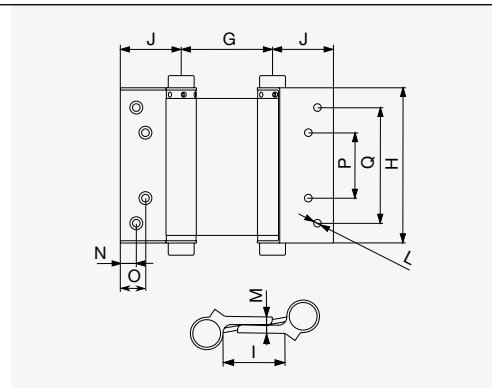


Type	Code
Chrome	F002870
Black	F002871

Contains:
 • Pair of hinges
 For glass max 5 mm.



⊖ Riex NW20 Double Action Door Hinge [Western]

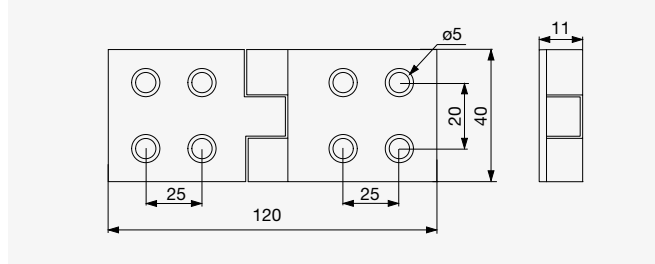


Contains:
 • Pair of hinges

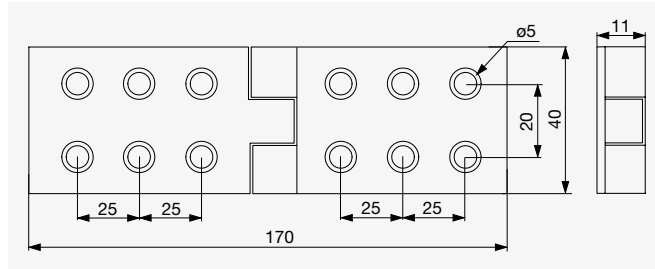
Size H [mm]	Code
75	F002141
100	F002142
125	F002143
150	F002144

Code	H±2 [mm]	G±2 [mm]	I±2 [mm]	J±2 [mm]	L±0,5 [mm]	M±1 [mm]	N±1 [mm]	O±1 [mm]	P±2 [mm]	Q±2 [mm]
F002141	76	50	30	38	4	10	7	15	28	50
F002142	102	58	36	40	5	11	10	16	42	76
F002143	125	64	40	40	6	11	10	19	54	96
F002144	152	64	38	44	6	14	10	19	62	112

⊕ Riex NC05 Butt Flat Hinge



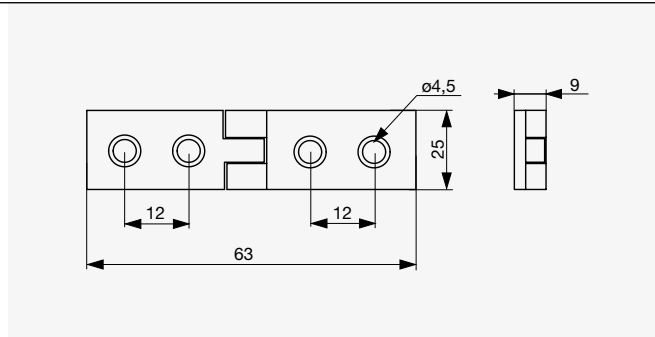
⊕ F004328



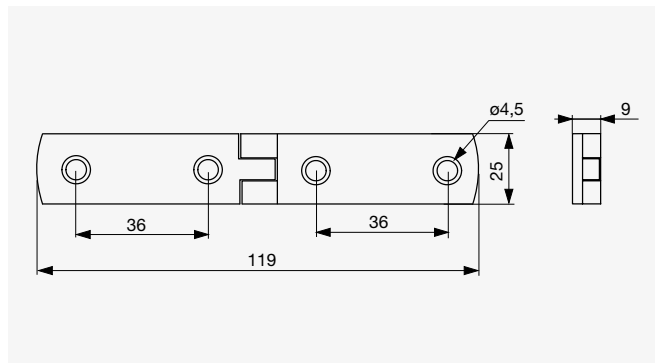
⊕ F004329

Length [mm]	Code	Height [mm]	Thickness [mm]	Colour
120	F004328	40	3	White zinc
170	F004329			

⊕ Riex NC06 Butt Flat Hinge



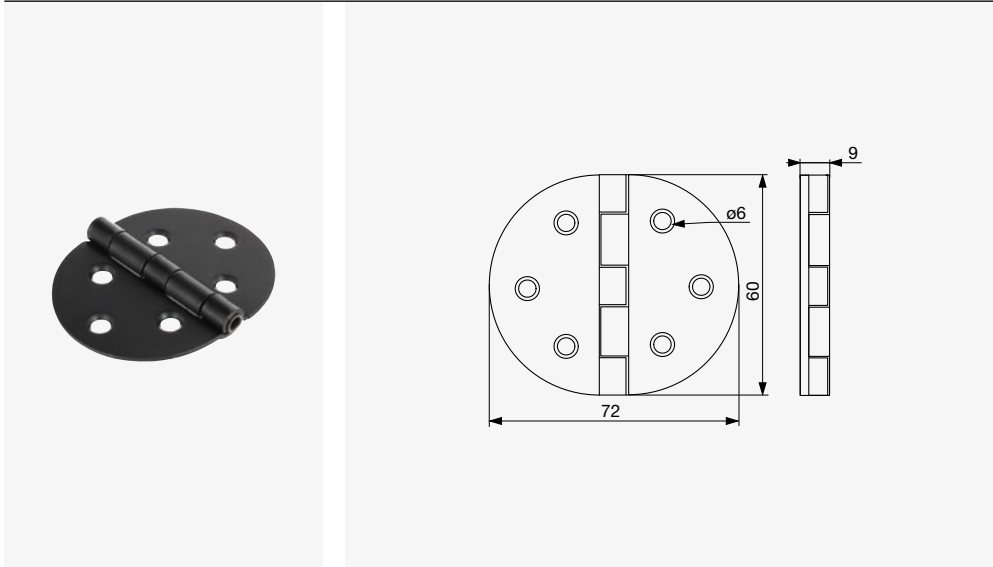
⊕ F004330



⊕ F004331

Length [mm]	Code	Height [mm]	Thickness [mm]	Colour
62	F004330	25	2	Black
119	F004331			

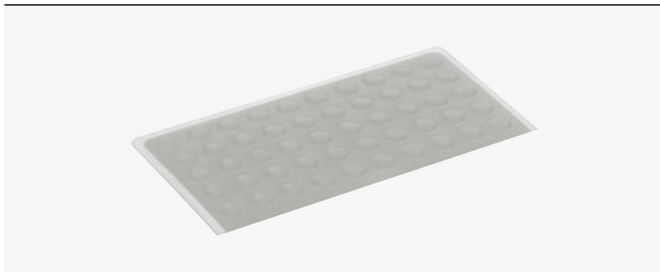
⊕ Riex NC07 Butt Round Hinge



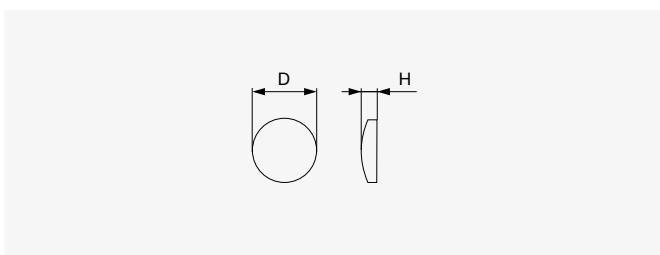
Length [mm]	Code	Height [mm]	Thickness [mm]	Colour
72	F004332	60	2	Black

Buffers

● IF Sheet with Door Buffers Self Adhesive

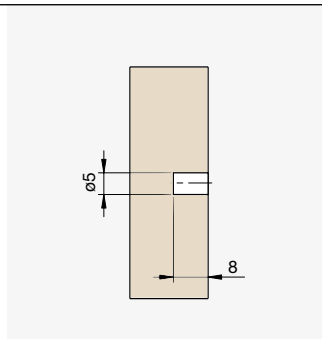
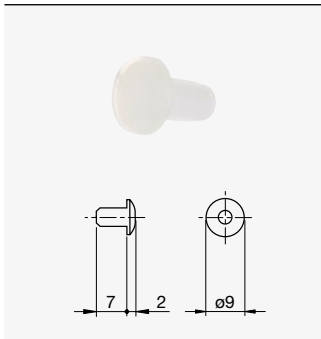


D [mm]	Code	H [mm]	Pcs on sheet
7	F002731	1,5	50
8	F002732	2	
	F002733	1,6	
10	F002734	1,5	
	F002735	3	



- Delivered and sold by the sheet
- Transparent colour

● IF Door Buffer for Drilling $\varnothing 5$ mm



Colour	Code
Transparent	F002730

Riex Push for Open

⊕ Riex NK50 Concealed with Buffer



● Light grey



● Dark grey

Colour	Code
Light grey	F003031
Dark grey	F003032

• In closed position possible adjust +1,5 mm / +10 mm

⊕ Riex NK55 Concealed with Magnet



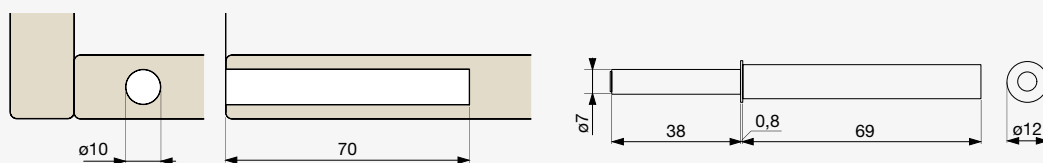
● Light grey



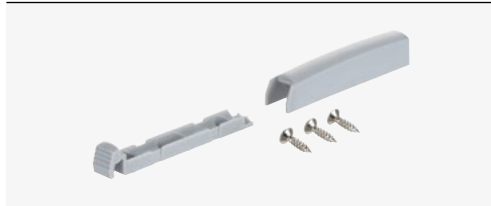
● Dark grey

Colour	Code
Light grey	F003033
Dark grey	F003034

• In closed position possible adjust +2 mm / +10 mm



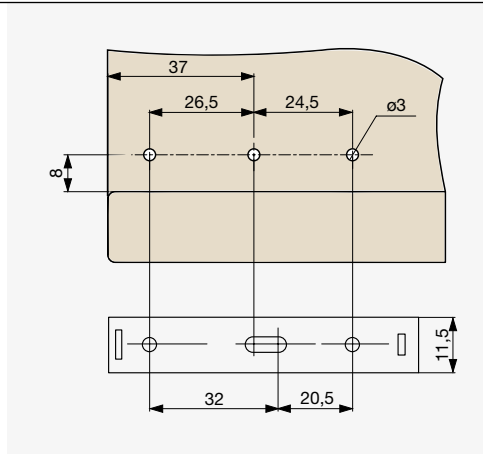
⊕ Riex NK50 / NK55 Adapter for External Installation



● Light grey

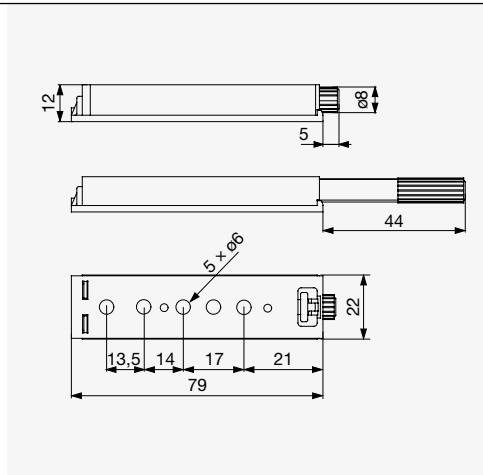


● Dark grey



Colour	Code
Light grey	F003035
Dark grey	F003036

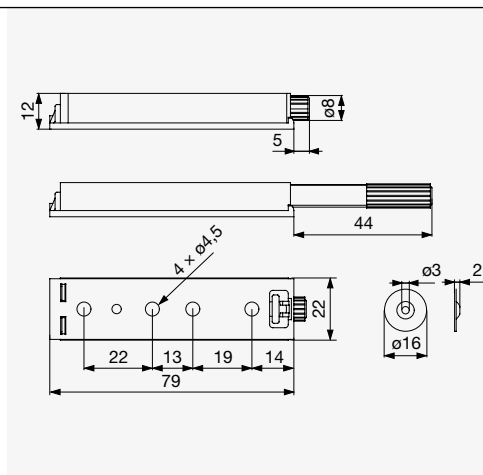
⊕ Riex NK35 External with Buffer



Colour	Code
Silver	F003041

• In closed position possible adjust +4,5 mm / +8 mm

⊕ Riex NK35 External with Magnet



Colour	Code
Silver	F003040

• In closed position possible adjust +4,5 mm / +8 mm

IF K Push

● IF K PUSH TECH Concealed with Buffer



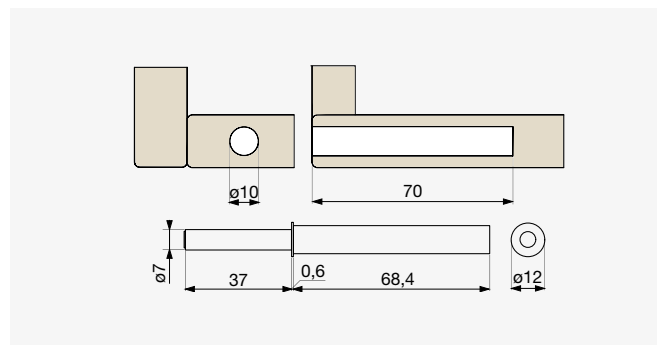
○ White

Colour	Type	Code
White	Normal	F002645
	Strong	F002647
Grey	Normal	F002646
	Strong	F002648

- In closed position possible adjust +1,5 / +8 mm



● Grey



● IF K PUSH TECH Concealed with Magnet



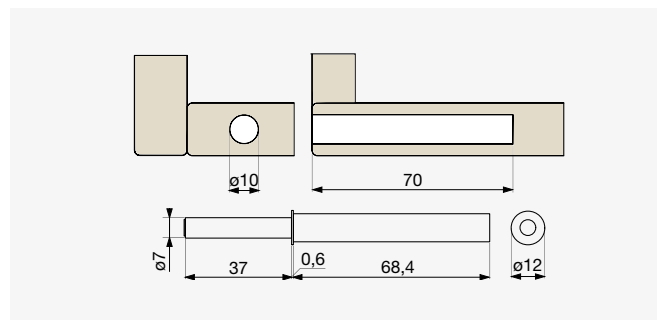
○ White

Colour	Type	Code
White	Normal	F002649
	Strong	F002651
Grey	Normal	F002650
	Strong	F002652

- 2 types of magnet counterpieces included – self adhesive and screw-in
- In closed position possible adjust +1,5 / +8 mm



● Grey



● IF K PUSH TECH
Adapter



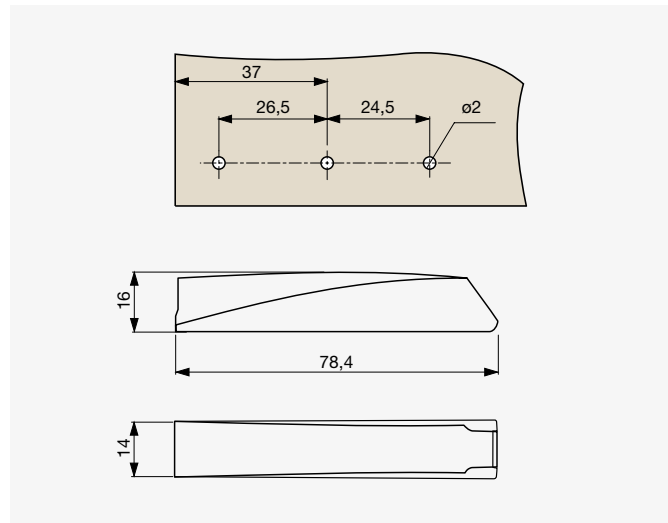
○ Housing, white

Colour	Type	Code
White	Housing	F002653
	Adapter plate	F002654
Grey	Housing	F002655
	Adapter plate	F003323

● External solution needs Housing and Plate



○ Adapter plate, white



● Housing, grey



● Adapter plate, grey

